

# Hik-**Pro**Connect Cloud Storage Solution

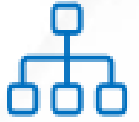
**Convergent security business solution**

Energize your business with *added efficiency and peace of mind*

# CONTENT



Pain Point



System Structure



Hik-ProConnect Box



Advantages for Installer



Advantages for End Users



Appendix

# Pain Point



**No playback!**



lose the evidence and hard to get property back



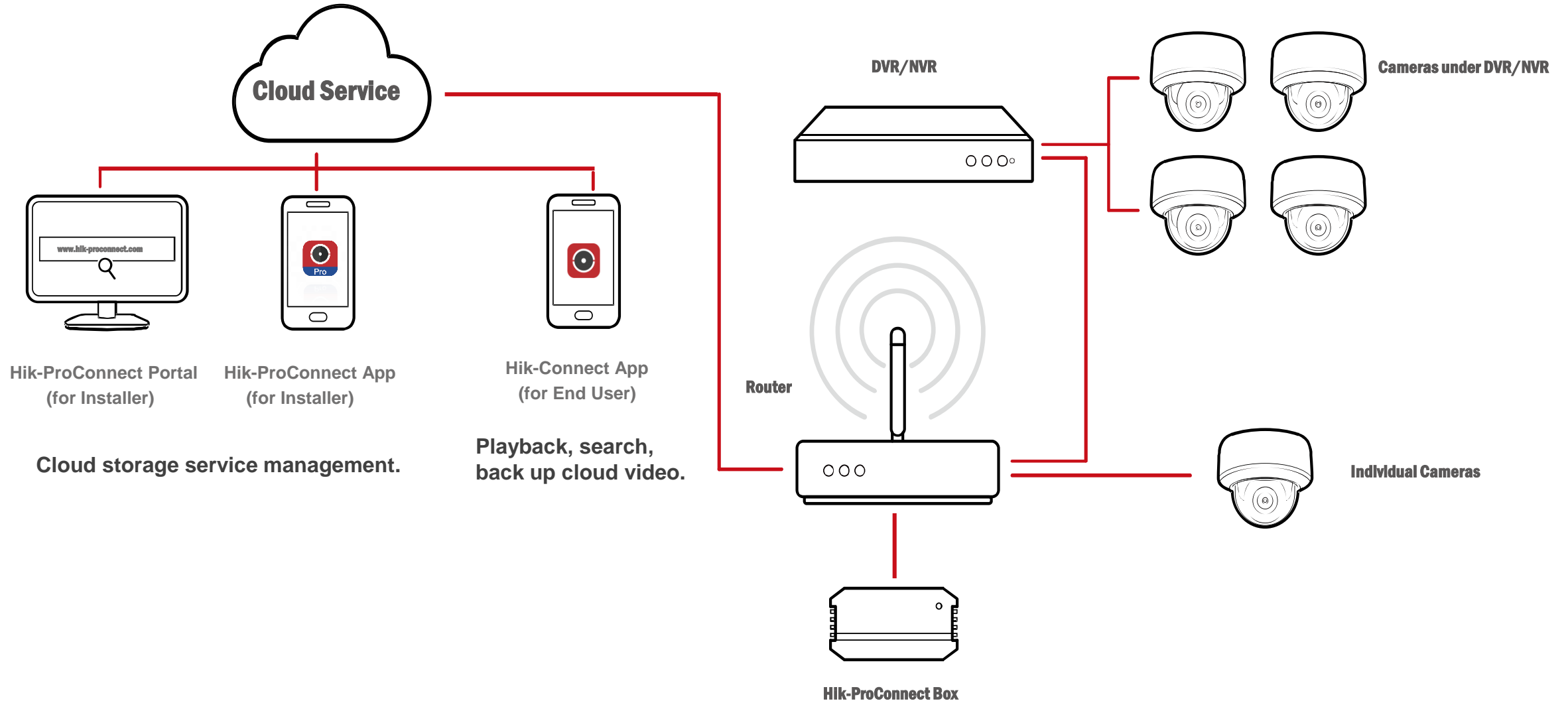
hard to playback offline devices

Back end device with HDD

**Missing!**



# Hik-ProConnect Cloud Storage Solution



A Hik-ProConnect box will link cameras under DVR/NVR or individual cameras for storage service management.



# Hik-ProConnect Box

## Definition

A box, connected to the back end device or a camera, to transcode video to a suitable definition and then transmit it on the cloud.



DS-6700NI-S

## Key feature



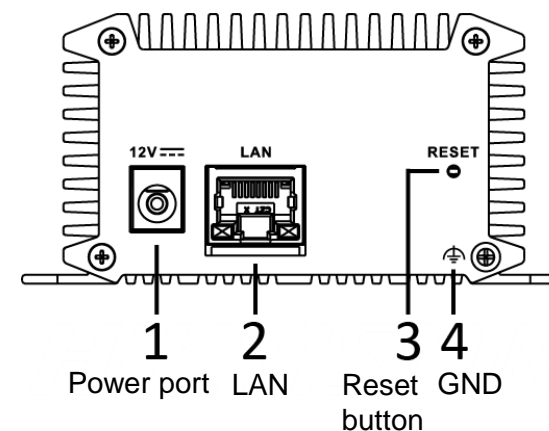
### Compact design, easy installation

Simple struction (*9.5 cm × 9.2 cm × 4.58 cm*) like a palm for easy use.



### High compatibility

Supports up to *8 ch 2 MP (30 fps)* , all Hikvision CCTV devices.



Back interface

## Two different definitions for demands

- **Local video** (in NVR/DVR/camera) remains original definition to **remain more details**.
- **Cloud video** supports 1080p or D1 (selectable), 6-10 fps **for better transmission and enough details**.

*e.g. 4 MP camera: 4 MP @ 30 fps local video in in NVR/DVR/camera; 1080p @ 10 fps cloud video in cloud storage.*

*Note: 6-10 fps depend on different channel numbers. **1-5-ch**: 10 fps; **6-ch**: 8 fps; **7-ch**: 7 fps; **8-ch**: 6 fps.*

## **Low video loss risk**

**ANR function** helps **avoid video loss** in network congestion.

*ANR function: when network is poor, some channel videos will queue to wait for other channel videos uploading on cloud. When network recovers, these queueing videos will upload.*



# Advantages for Installers

## Quick adding and flexible management

Box link camera page

**Add Channel**

According to your network performance, it is recommended to set 7 channels for cloud storage of high definition video (resolution for reference: 1920\*1080), or 11 channels for cloud storage of standard definition video (resolution for reference: 704\*576)

Select Device Connected to  
Camera 01-761588095

Select Channel

- Camera 14
- Camera 15
- Camera 16

Device Information

\* Device IP Address: 10.15.98.160    \* Port: 8000

\* User Name:     \* Password:

It cannot be empty.

OK Cancel

- Quick adding  
Add devices to the box by user name and password

Box channel management page

Camera 14  
003307830  
High Definition  
High Definition  
Standard Definition  
1920\*1080  
kpps

Event Settings

Expiry Date: 25, Dec, 2020 Renew

- Flexible choice  
Two definitions for demands

- Service transfer function  
A new device can inherit the cloud service from the old one.

System Network Video/Audio Event

**Event**

Basic Event  
Smart Event

Motion Video Tampering Video Loss Exception

Camera: [09] Camera 01

Enable Motion Detection

Enable Dynamic Analysis for Motion

Area Settings Arming Schedule Linkage Method

Image Refresh Interval: (None)

Draw Area Clear All

Sensitivity: 50

Save

- One click to set which event videos to upload  
Now supports 3 types of event videos to be stored on cloud:  
*motion detection, line crossing, intrusion.*



# Advantages for Installers

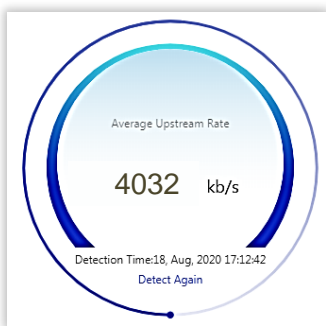
## Quick adding and flexible management



### Visible bandwidth to avoid video loss

A network detection tool can **automatically** recommend a **suitable uploading definition** and **channel numbers**.

e.g.



According to the left bandwidth, the following recommendation will be given automatically:

- 1. **5 channels** for cloud storage of high definition video (resolution for reference: **1920×1080**)
- 2. **8 channels** for cloud storage of standard definition video (resolution for reference: **704×576**)

**Resolution and channel selection chart**

Resolution \ Bandwidth	1920×1080 (1080p)	704×576 (D1)
1 M/s	1-ch	2-ch
2 M/s	2-ch	4-ch
4 M/s	5-ch	8-ch
7 M/s	8-ch	14-ch

*Note: the results in the above chart are only for reference and are calculated with 10 fps. Very accurate channel number should be subject to on site bandwidth.*





# Advantages for Installers

## Easy purchase process, quick online payment

Package information showing, “renew” or “activate” reminder

“renew” or “activate”

Inventory shortage? Online purchase!

- Clearly showing package inventory
- Quickly selecting to use

- Showing package information, like type, price, amount, gross price, etc. for quick and easy buying.



# Advantages for Installers

## Visible package management

A clear overview of all purchase history information, like package type, time, cost, etc.

Online Purchase

Order Time:  Total Price:

Order No.	Order Details	Order Type	Created Time	Total	Tax	Subtotal	Status	Operation
3646341519.0001022	Cloud Storage Service Package	Buy More	26, Aug, 2020 14:30:30		0		Unpaid	<a href="#">Detail</a> <a href="#">Pay</a>
3694076660004022	Cloud Storage Service Package	Renew	14, Aug, 2020 16:38:02		0		Paid	<a href="#">Detail</a>
371322039740003022	Cloud Storage Service Package	Renew	14, Aug, 2020 16:30:52		0		Paid	<a href="#">Detail</a>
349236438000002022	Cloud Storage Service Package	Renew	14, Aug, 2020 16:26:06		0		Paid	<a href="#">Detail</a>

A clear overview of all used and inventory package information, like package type, number, used by which site, expiry date, etc.

All Services **Cloud Storage Details**

Cloud Storage Service Package  7-Day and 30-Day refer to the retention period of the video on cloud storage. [Online Purchase](#)

Service Type	Purchased	Used
7-Day Monthly Package	27	

All

Channel	Device	Site	Site Owner	Expiry Date	Status	Operation
Camera 1	DS-6708NI-S(123456782)	qqqqq	347547721@qq.com	12, Nov, 2020	Normal	<a href="#">Renew</a>
Camera 2	DS-6708NI-S(123456984)	niexw	+86 18768143303	24, Aug, 2021	Normal	<a href="#">Renew</a>
Camera 2	DS-6708NI-S(123456787)	niexw	+86 18768143303	22, May, 2021	Normal	<a href="#">Renew</a>



# Advantages for End Users

© 2020 HIKVISION



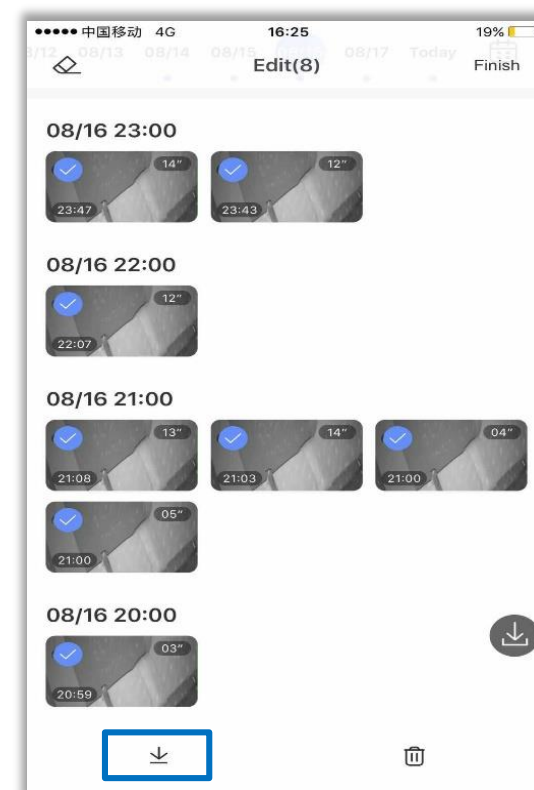
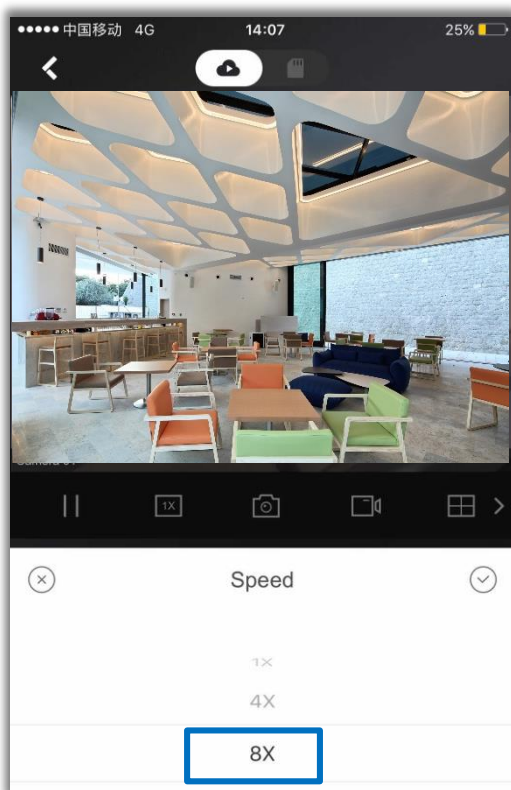
**Up to 8 times fast forward**  
Quickly playback videos [to save time](#)



**Quick video search**  
Cataloging cloud videos by date and hour [for quick search](#)



**Back up cloud videos**  
Downloading cloud videos on your phone [for back-up](#)



# Advantages for End Users

## Multiple packages for different demands

Supports 4 packages: 7-day monthly, 7-day annual, 30-day monthly, 30-day annual.



day

monthly



day

annual



day

monthly



day

annual

*e.g. “7-day monthly”: 7-day videos can be stored on cloud and later will be overlapped;  
“per month”: the service lasts for a month.*

*Note: now once the customer buys a Hik-ProConnect box, he can get 6 “7-day monthly” packages.*



# Appendix

	Feature	
<p>Device, software</p>	<div data-bbox="468 448 952 691"> </div> <div data-bbox="481 748 1003 815"> </div> <div data-bbox="545 925 998 1158"> </div> <div data-bbox="529 1196 983 1243"> <p>Hik-Connect App V4.7</p> </div>	<div data-bbox="1263 458 1577 715"> </div> <div data-bbox="1640 575 2390 622"> <p>Hik-ProConnect Box, DS-6700NI-S</p> </div> <div data-bbox="1156 811 2440 1158"> <ul style="list-style-type: none"> <li>• <b>Incoming/outgoing bandwidth:</b> 80 Mbps</li> <li>• <b>Decoding:</b> 8-ch @1080p (30 fps), 4-ch @ 4 MP (30 fps), 3-ch @ 5 MP (30 fps), 2-ch @ 8 MP (30 fps); H.265, H.265+, H.264, H.264+</li> <li>• <b>Cloud storage definition:</b> 1080p/D1, 6-10 fps (<b>1-5-ch:</b> 10 fps; <b>6-ch:</b> 8 fps; <b>7-ch:</b> 7 fps; <b>8-ch:</b> 6 fps)</li> <li>• <b>Dimension:</b> 92 × 93 × 45.8 mm (3.6 × 3.7 × 1.8 inch)</li> <li>• 12 VDC, 1A</li> </ul> </div>



**Thanks**